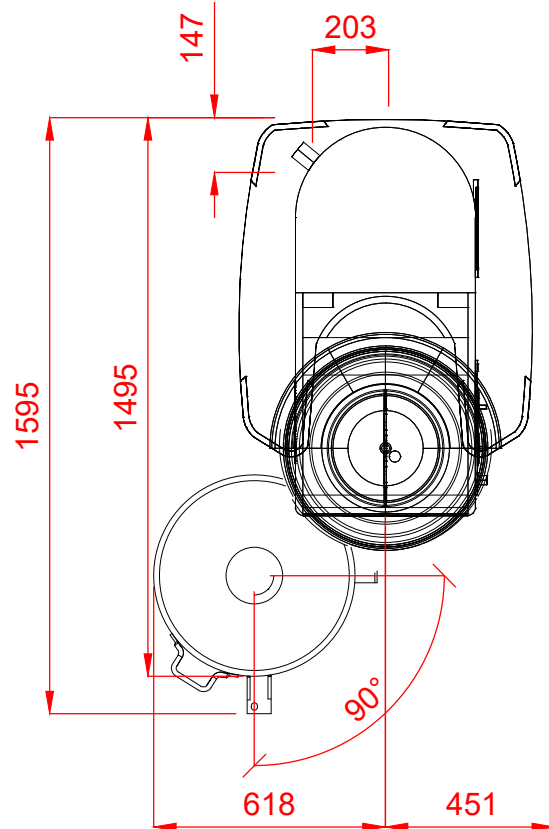
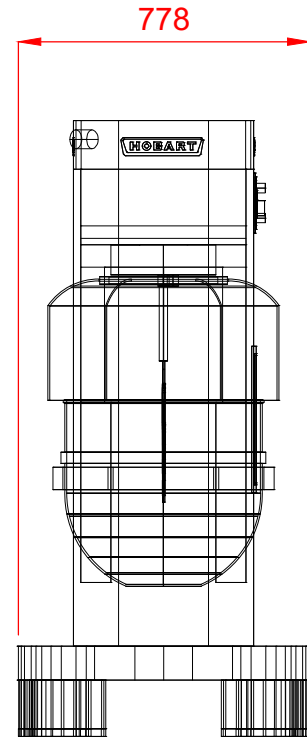
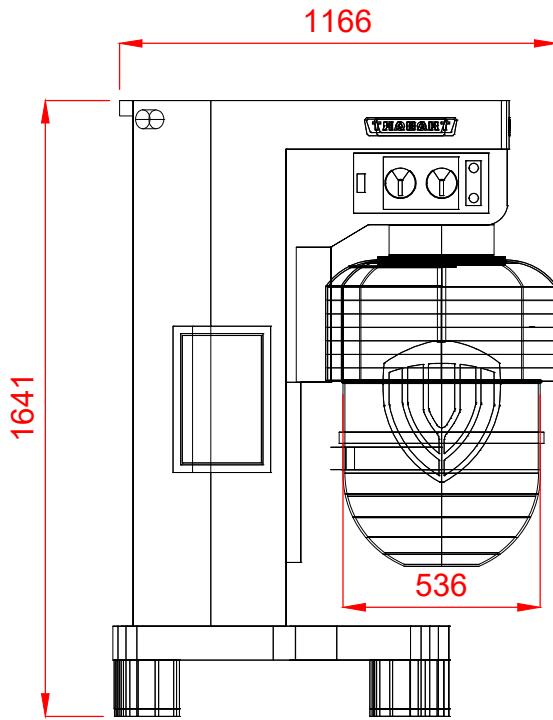


80 Litre Floor Standing Mixer

HL800-10



Electric
400/50/3 2.2kW 5.2amps
FUSE AT 3 x 10amps
WEIGHT EMPTY 599kg

PLOT SCALE: 1:20